



Siren User Guide

Siren is a warning device that produces high volume warning sounds and low volume notification sounds synchronized to the alarm panel. It has industry leading wireless range and requires no installation tools.

Features

- Secure encrypted wireless communication
- LED's follow arming status and trouble conditions from the alarm panel
- Adjustable status volume
- Wall powered, with backup battery power
- Can use multiple sirens on a single system
- 3 year warranty



Enroll by sending an enrollment signal from the sensor with the help of an installation specialist

Options for sending an enrollment signal

- Remove the battery tab, OR
- Move function switch #1 to up position then back down

Install by plugging the siren into any AC outlet. Ensure that the outlet is not controlled by a switch

Operation

Left LED (Orange)

- Cover is open on siren
- Trouble condition on system
- Loss of AC power to siren

Left LED (Blue)

- Blinks slowly when not enrolled
- Blinks quick when receiving transmission from alarm panel
- Solid indicates system is OK

Left LED (Off)

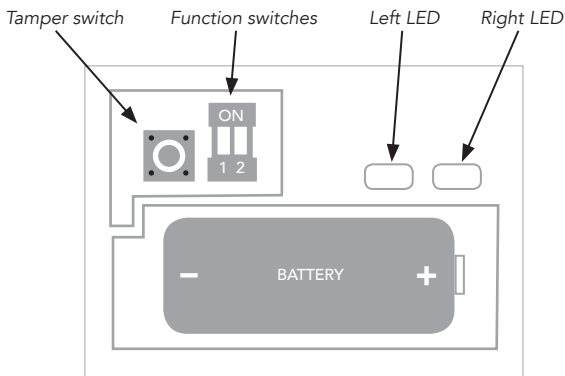
- Loss of AC power to alarm panel

Right LED (Green)

- Blinks when a zone is open
- Solid indicates AC power present

Right LED (Red)

- Alarm system is armed



Pro Tips

- Turn on follow alarm panel beeps by having function switch #2 in down position
- Siren volume can be adjusted with the help of an installation specialist

To replace the battery remove the front cover. Replace battery and reinstall the cover.

Specifications

Physical	
Housing Dimensions	3 x 4 1.25 inches (7.62 x 10.16 x 3.175 cm)
Weight with Battery	5.6 ounces (159 grams)
Environmental	
Operating Temperature	32 to 120 °F (0 to 49 °C)
Maximum Humidity	85% non-condensing relative humidity
Sensor Specifications	
Frequency	423.92 MHz
Replacement Battery	One CR123A
Backup Battery Life	48 hours cumulative, non-rechargeable
Alarm Sound Intensity	85 dB, minimum, at 1m
Electrical connection	US 2-prong electrical outlet blades
Transmitted Indications	Cover Tamper, Low Battery, AC Failure, Supervision

Specifications subject to change without notice



SIREN – 010

Tech Support:

1-855-76-THINK

(1-855-768-4465)

www.thinkprotection.com