



Glassbreak User Guide

Glassbreak is a full featured security transmitter with industry-leading wireless range and battery life. It detects the sound of breaking glass.

Features

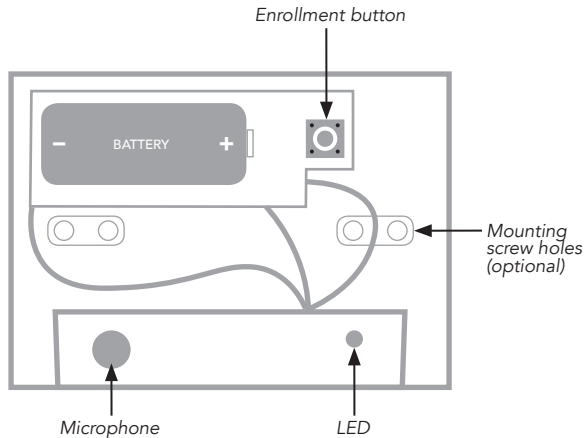
- Industry leading wireless range and battery life
- Secure encrypted wireless transmission
- 360° Omni-directional coverage
- 3 year warranty



Enroll by sending an enrollment signal from the sensor with the help of an installation specialist

Option for sending an enrollment signal

- Press the enrollment button inside the glassbreak sensor



Install by mounting the sensor using the provided tape to adhere the sensor at least 3.3 ft from the desired protected window (25 ft max). Needs to be in line of sight of window being protected.

- **DO NOT** install in rooms smaller than 100 square feet
- **DO NOT** install in rooms with excessive white noise
- **DO NOT** install directly on window

Pro Tips

To replace the battery remove the glassbreak cover. Replace battery and reinstall cover.

Specifications

Physical	
Housing Dimensions	4.25 x 3.13 x 1.7 inches (10.79 x 7.95 x 4.31 cm)
Weight with Battery	5 ounces (141.74 grams)
Mounting Fastener	Included tape or #4/#6 screws (not provided)
Environmental	
Operating Temperature	32 to 120 °F (0 to 49 °C)
Maximum Humidity	85% non-condensing relative humidity
Sensor Specifications	
Frequency	433.92 MHz
Replacement Battery	One CR132A
Nominal Battery Life	4 to 6 years
Battery Voltage	3.0 VDC (Nominal), 2.2 VDC (Low)
Sensing Parameters	Max 25 feet (7.62 m)
Transmitted Indications	Low Battery, Supervision

Specifications subject to change without notice



GLASSBREAK – 010

Tech Support:

1-855-76-THINK

(1-855-768-4465)

www.thinkprotection.com